

DE

Montageanleitung

FR

Notice de montage

GB

Installation instructions

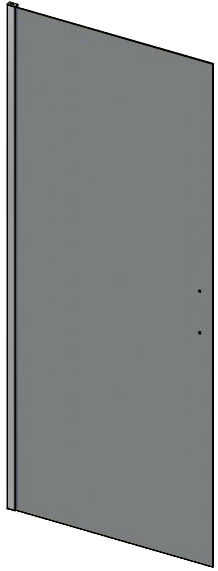
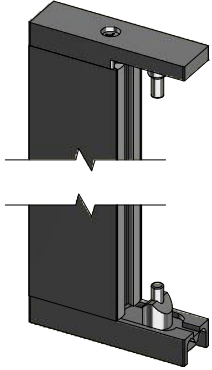
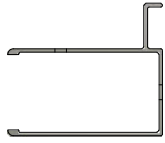

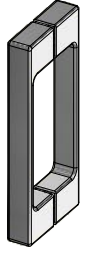
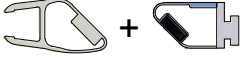
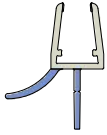
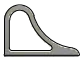


2022/12/8

Rev.:R02

MB2263

BADEN I

POS.	PREVIEW	PCS	SPARE PART
1.		1	V319
2.		1	S44
3.		2	P319
4.		1	P320
5.		1	S45
6.		1	T45
7.		1	T46
8.		1	P321
9.	ACCESSORIES	1	S46

1. V319

SIZE	GLASS + PROFILE	SPARE PART
800	clear glass+brillant	ND02-0979-00-02
800	clear glass+black	ND02-0979-05-02
900	clear glass+brillant	ND02-0980-00-02
900	clear glass+black	ND02-0980-05-02

2. S44

PROFILE	SPARE PART
Brillant	ND01-4142
Black	ND01-4143

3. P319

PROFILE	SPARE PART
Brillant	ND01-4144
Black	ND01-4145

4. P320

PROFILE	SPARE PART
Brillant	ND01-4146
Black	ND01-4147

5. S45

HANDLE	SPARE PART
Brillant	ND01-4148
Black	ND01-4149

6. T45








SEAL	SPARE PART
Transparent	ND01-4150
Black	ND01-4151

7. T46

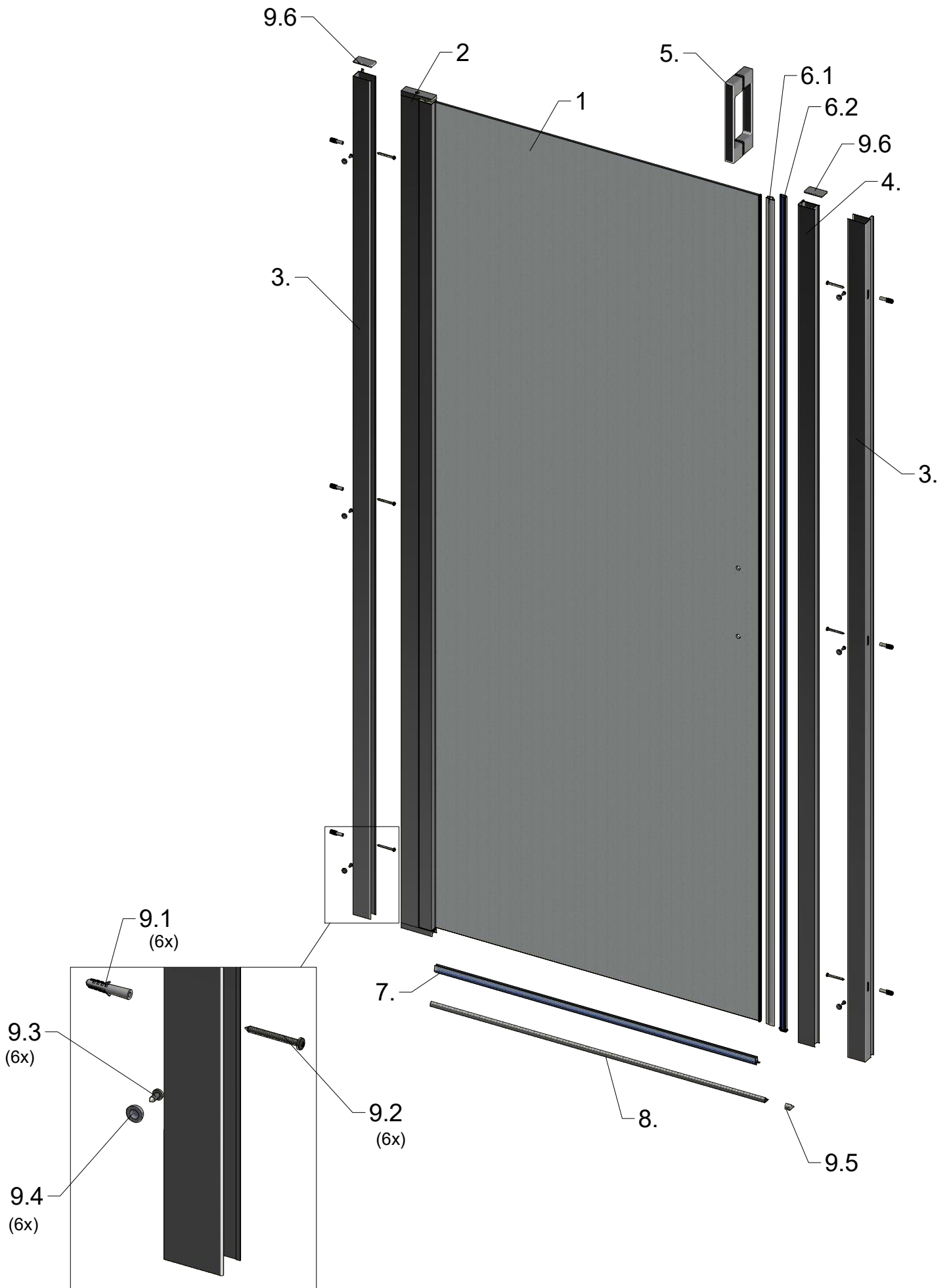
SIZE	SEAL	SPARE PART
800	Transparent	ND01-4152
900	Transparent	ND01-4153
800	Black	ND01-4154
900	Black	ND01-4155

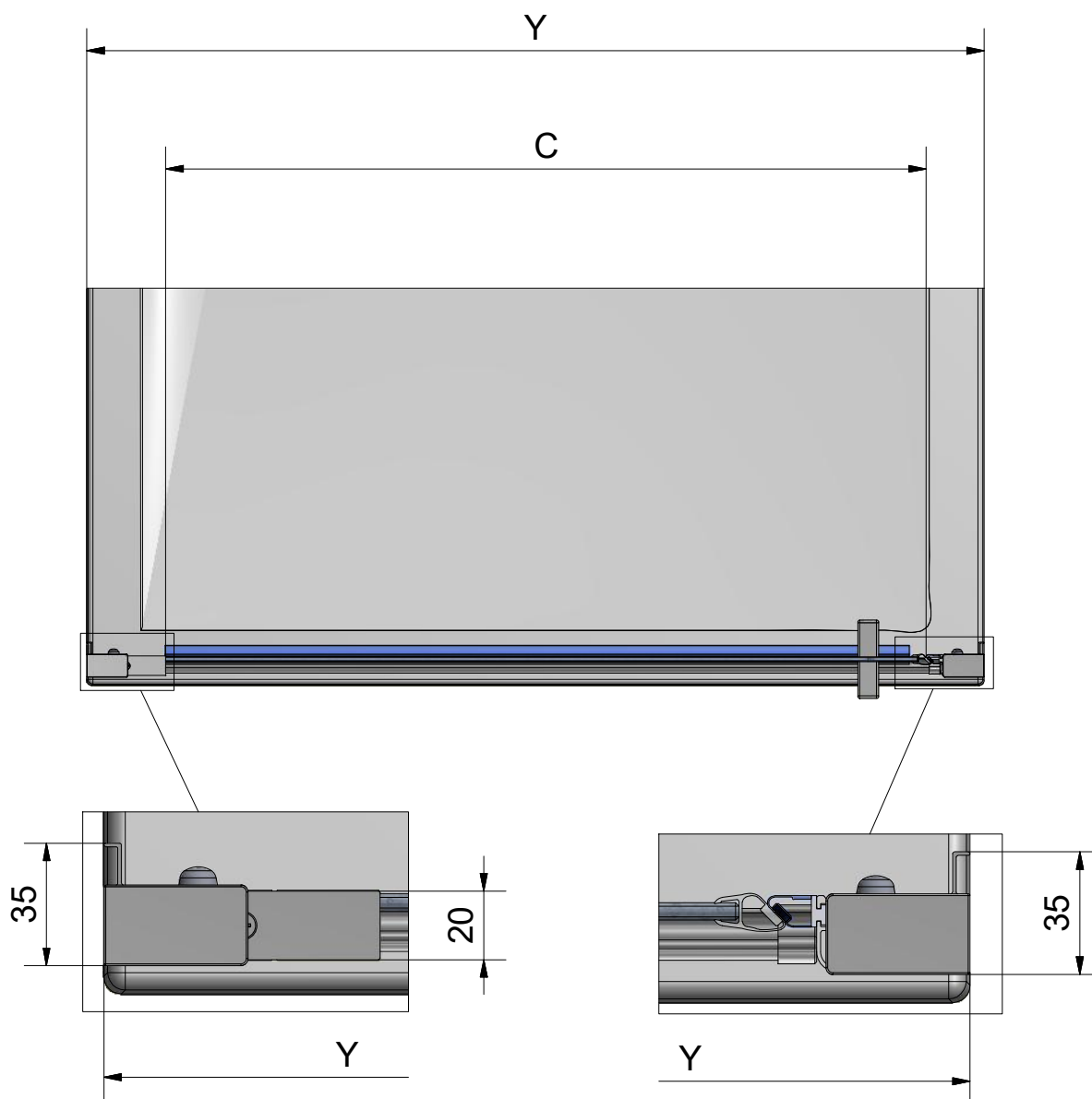
8. P321

SIZE	PROFILE	SPARE PART
800	Brillant	ND01-4156
900	Brillant	ND01-4157
800	Black	ND01-4158
900	Black	ND01-4159

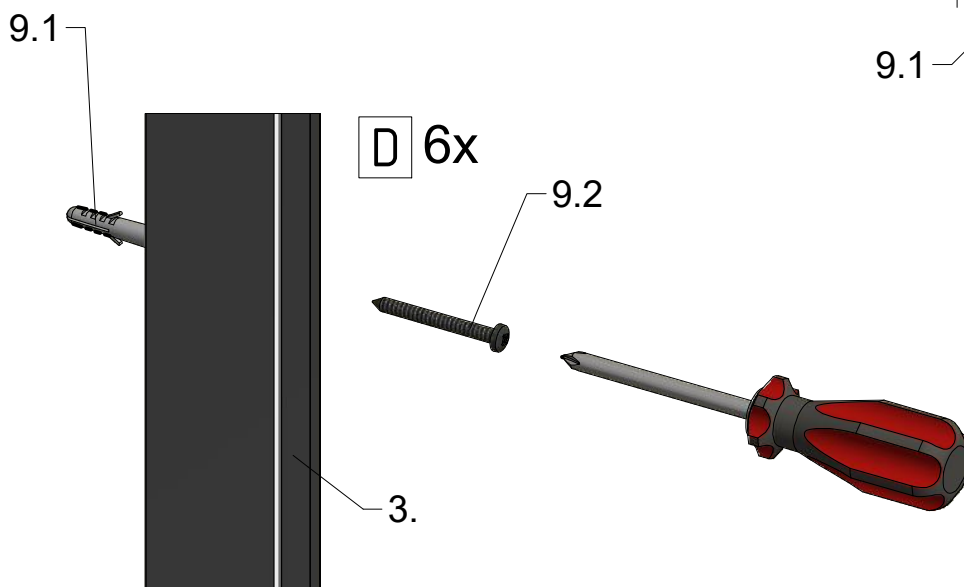
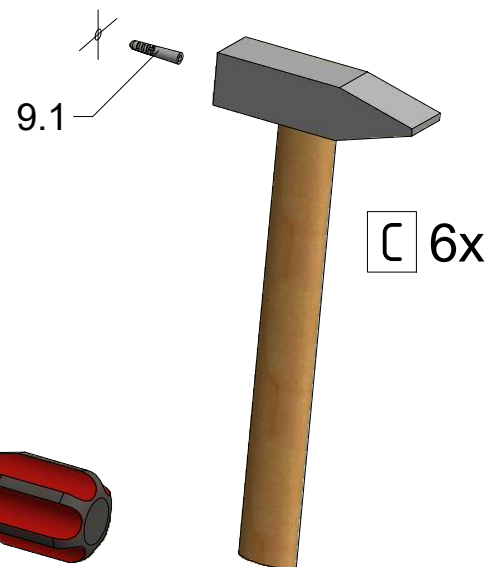
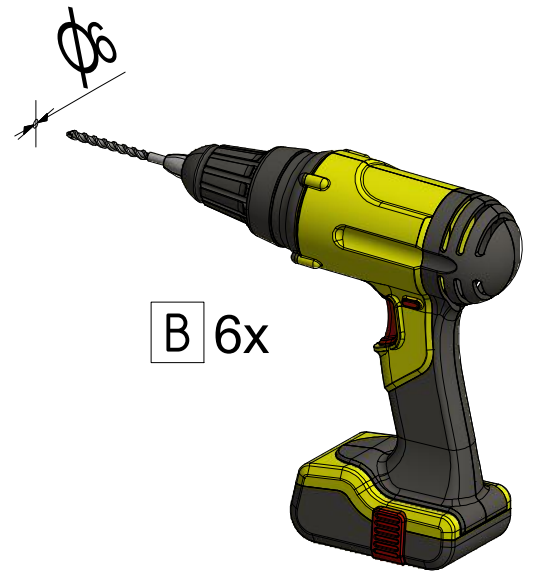
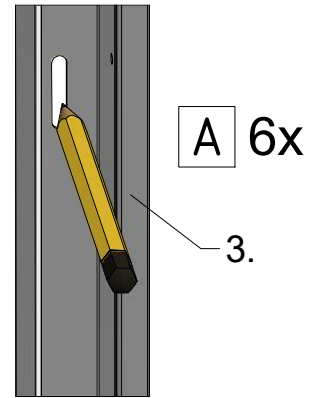
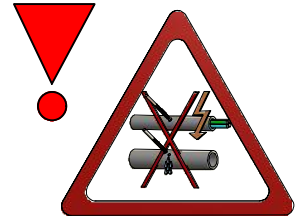
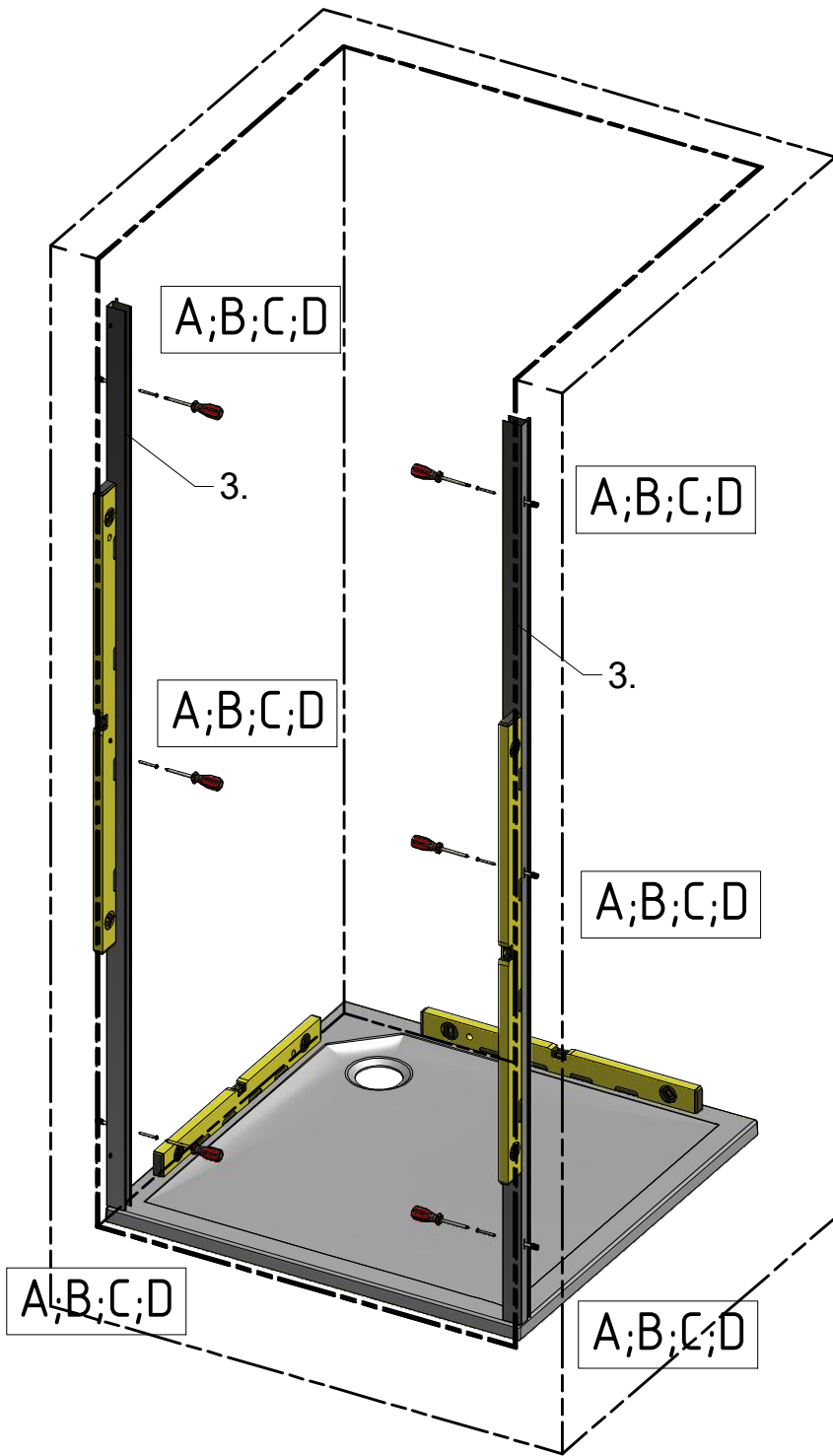
9.S46	
POS.	PREVIEW
9.1	6x 
9.2	6x 
9.3	6x 
9.4	6x 
9.5	 + 
9.6	2x 

9. S46	
ACCESSORIES	SPARE PART
Brillant	ND01-4160
Black	ND01-4161

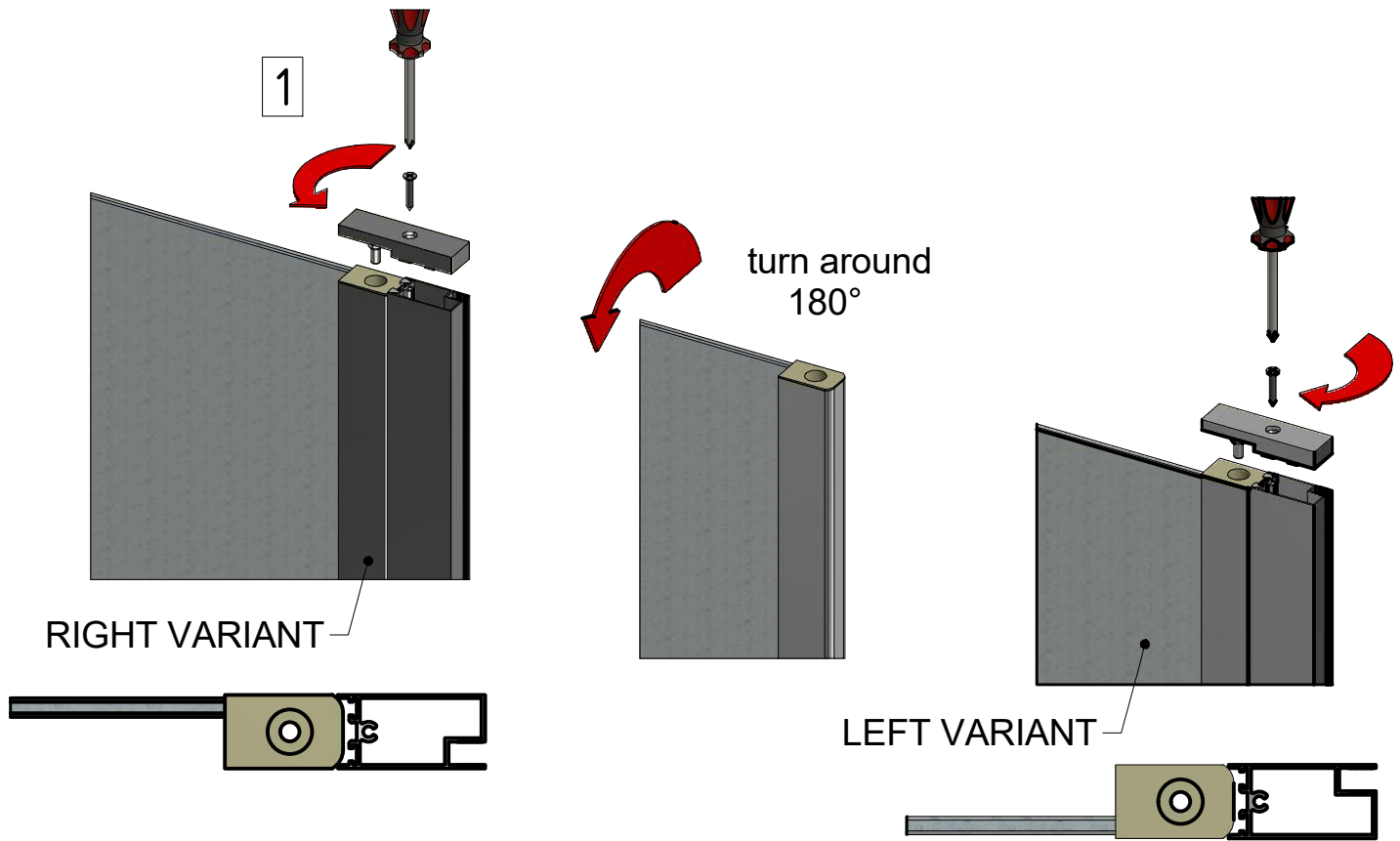




TYPE	Y (mm)	C (mm)
800	785-820	670
900	885-920	770



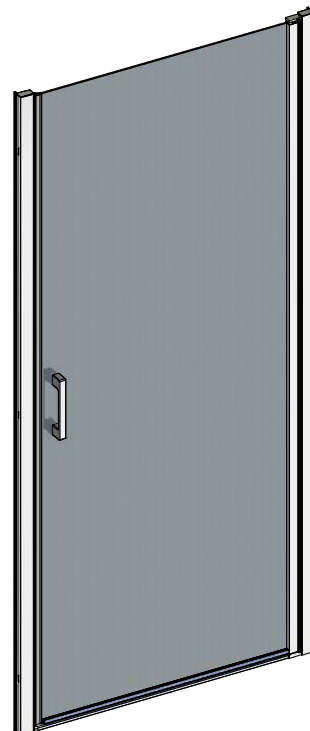
* ONLY FOR LEFT INSTALATION - REMOUNT THE DOOR



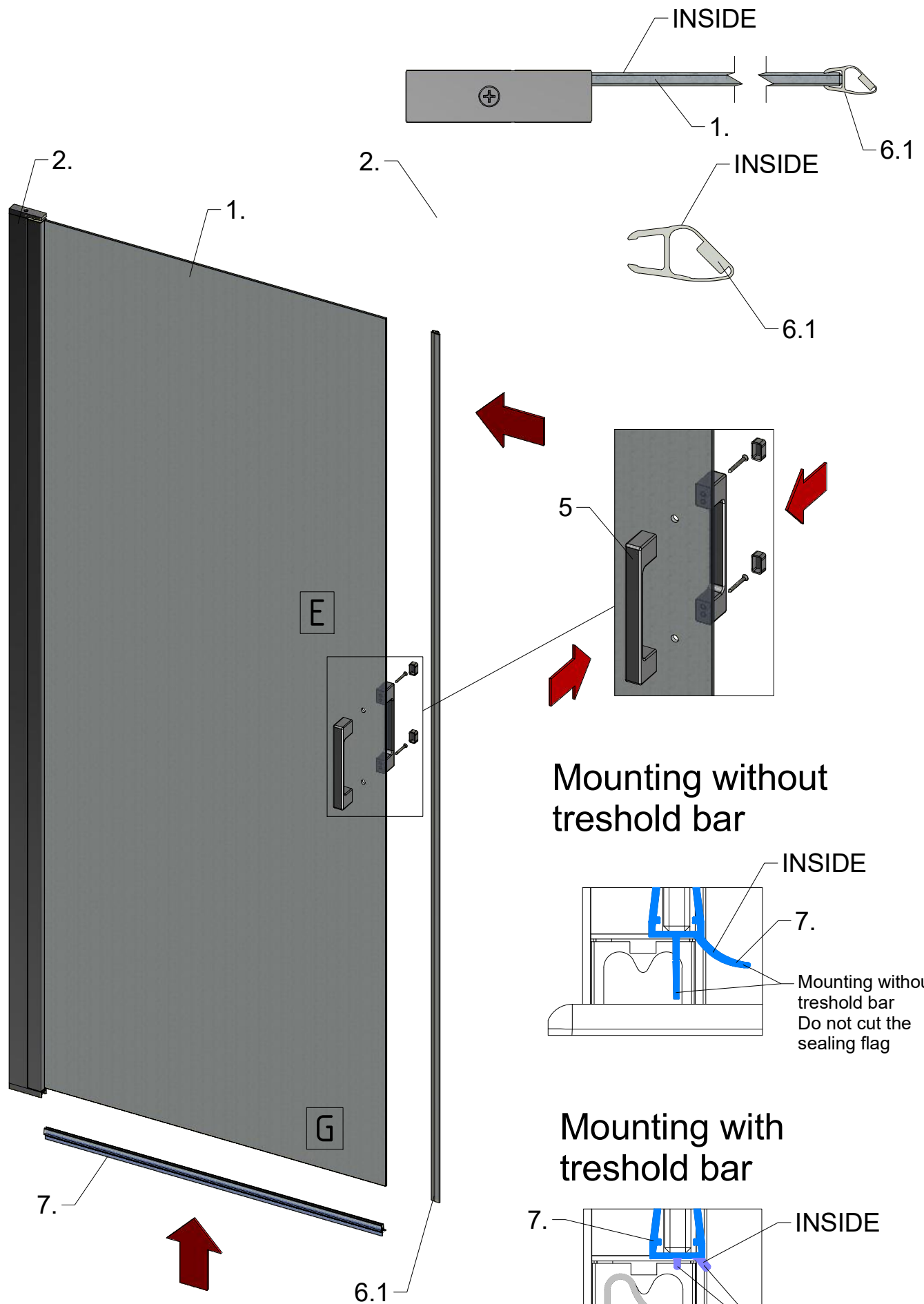
Next step in instructions is for left installation
(for right installation - proceed in a mirror image)



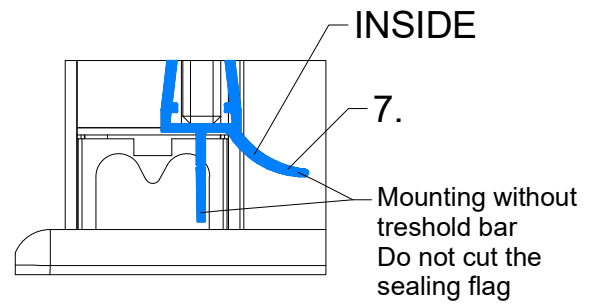
LEFT Installation



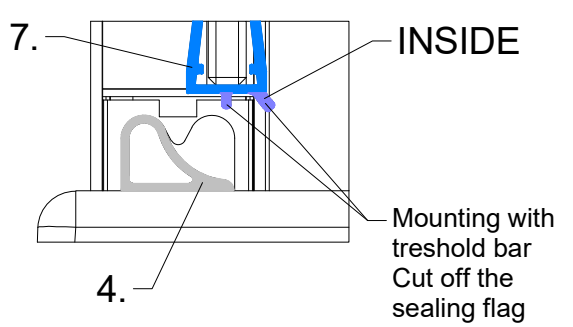
RIGHT Installation

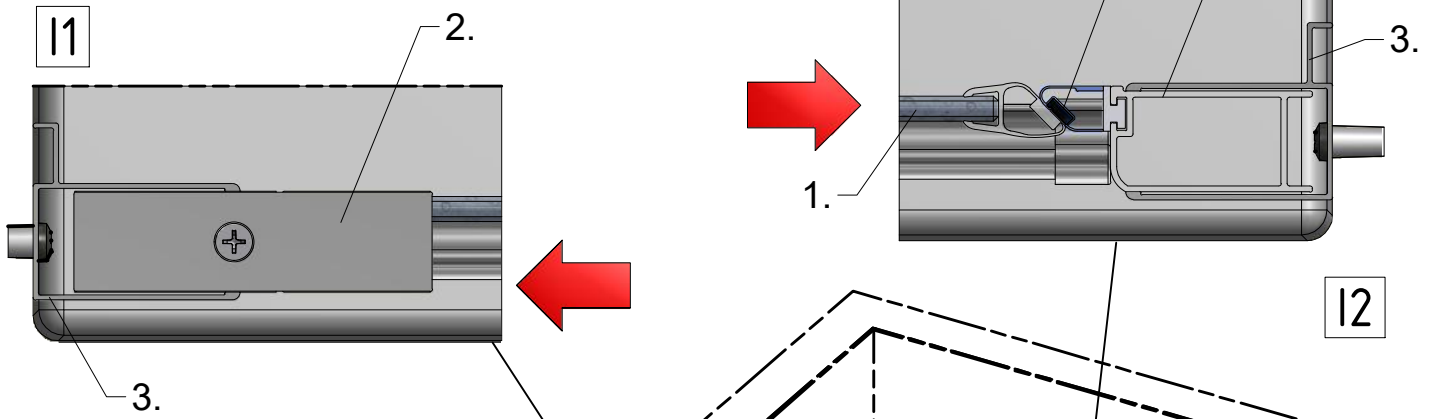
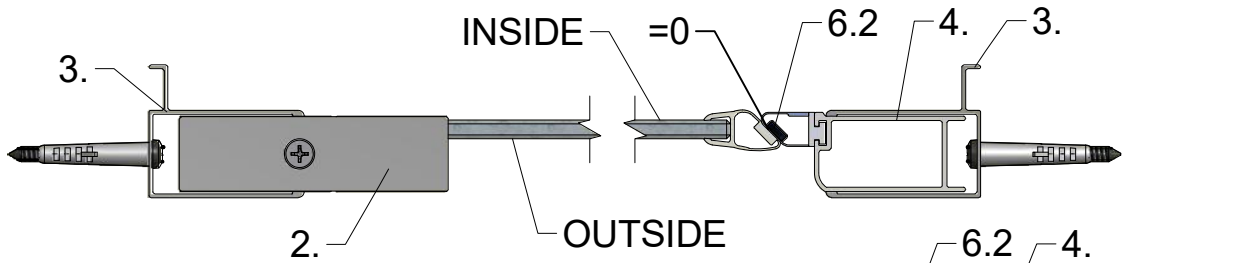


**Mounting without
treshold bar**

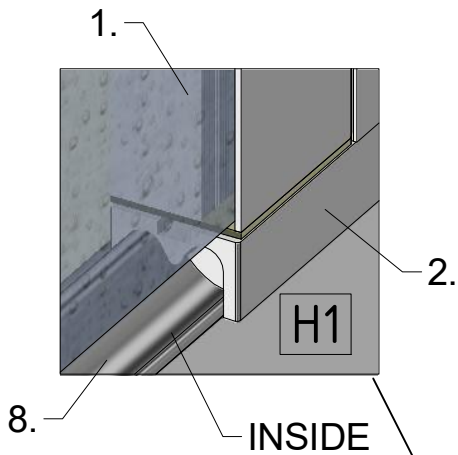


**Mounting with
treshold bar**

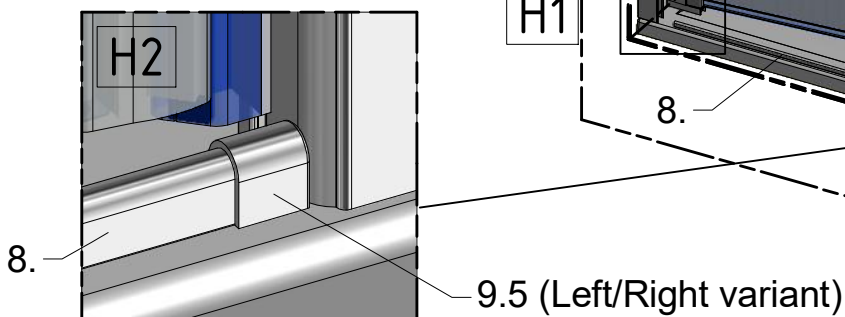
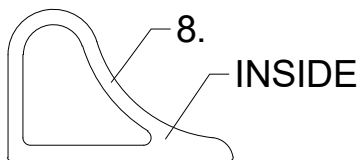


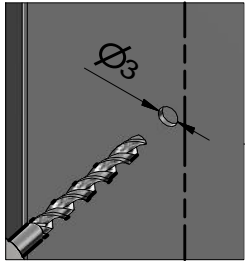
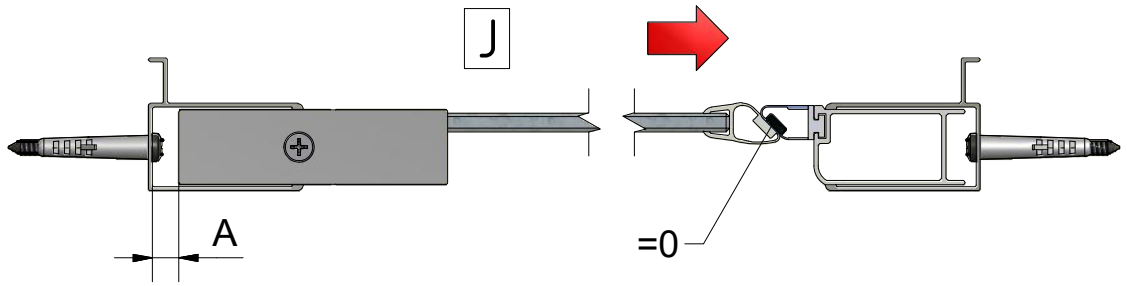


Mounting without
treshold bar
Do not use 8 and 9.5

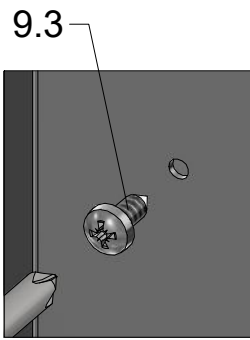


Mounting with
treshold bar

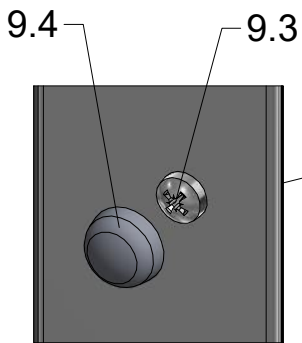




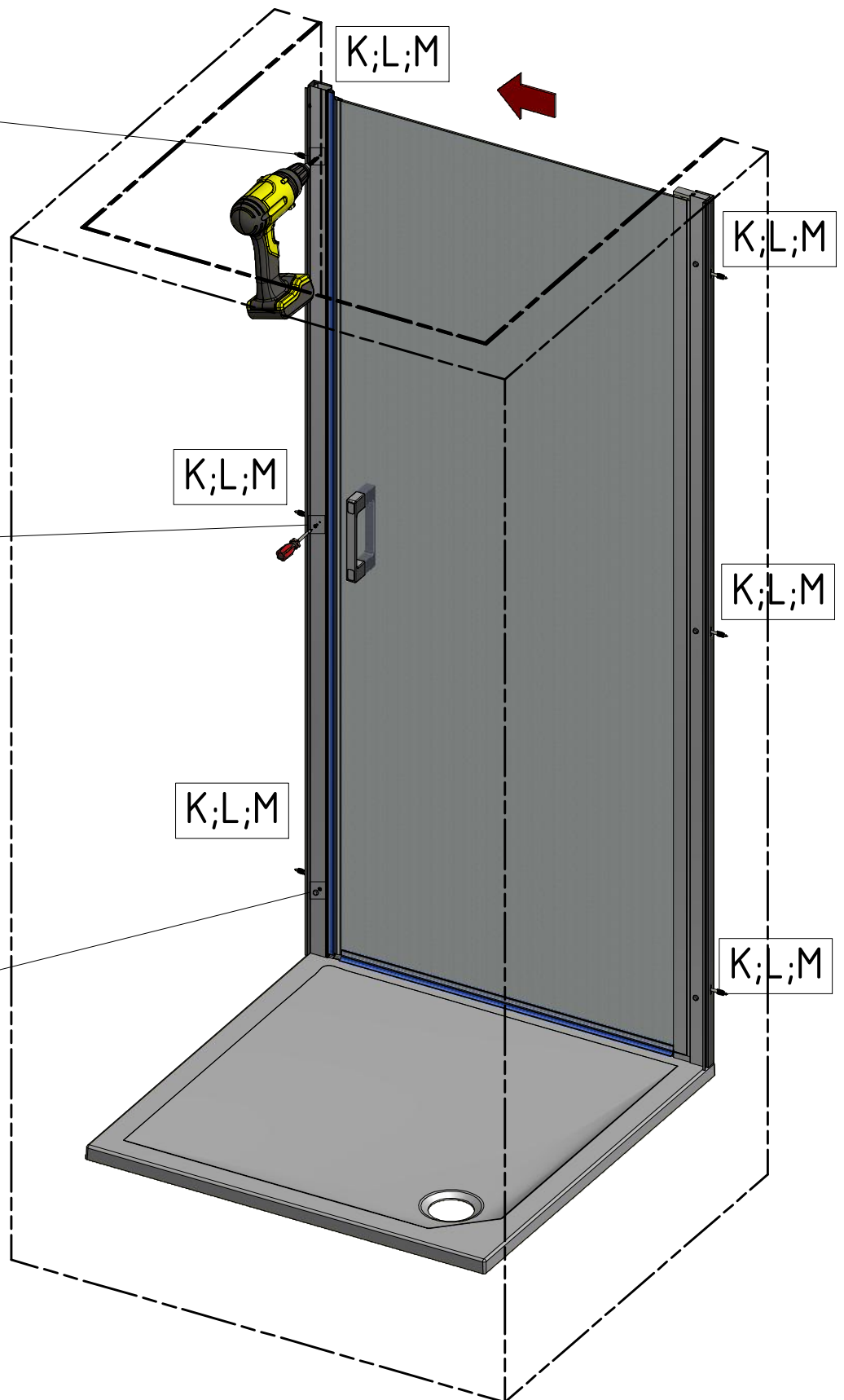
K 6x

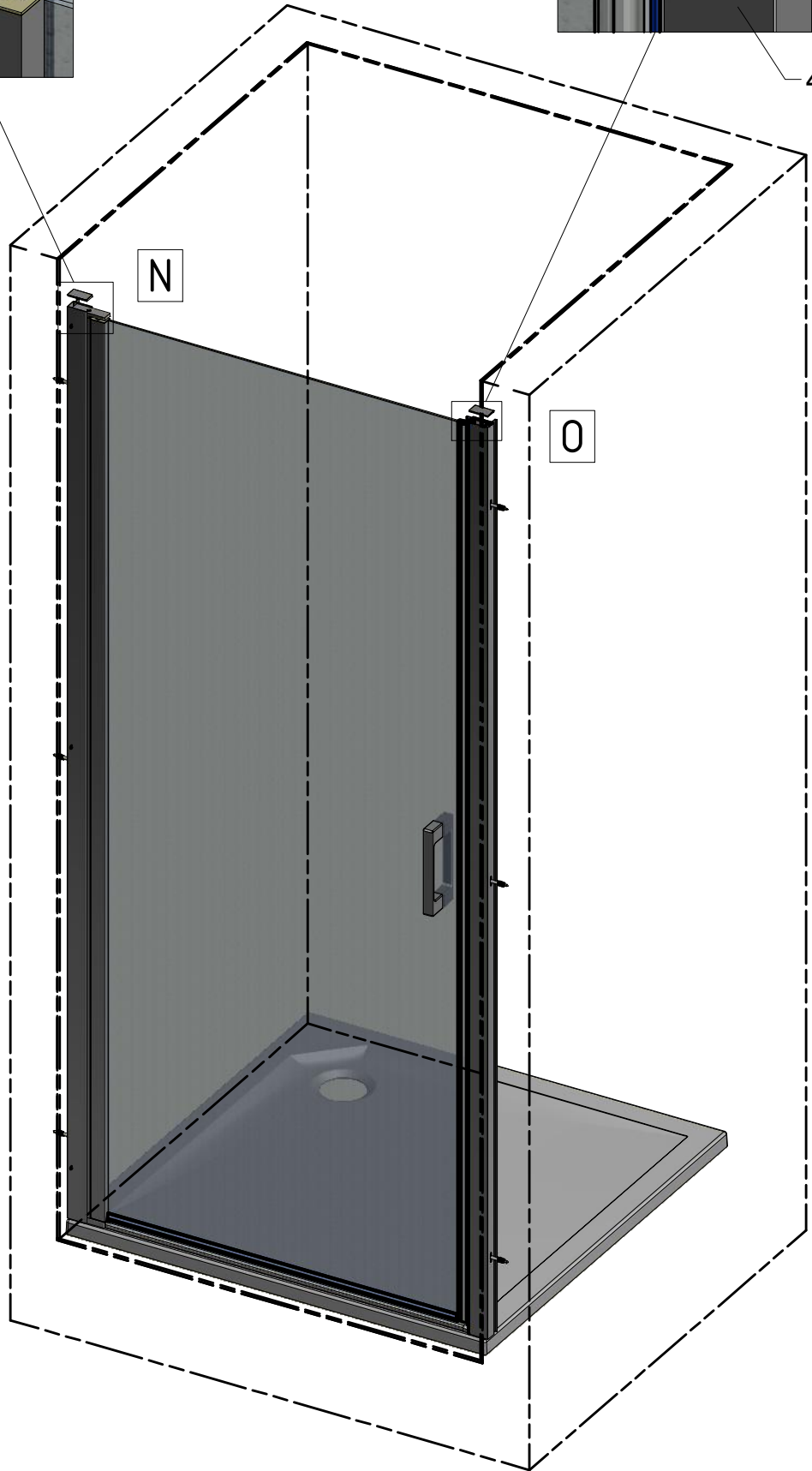
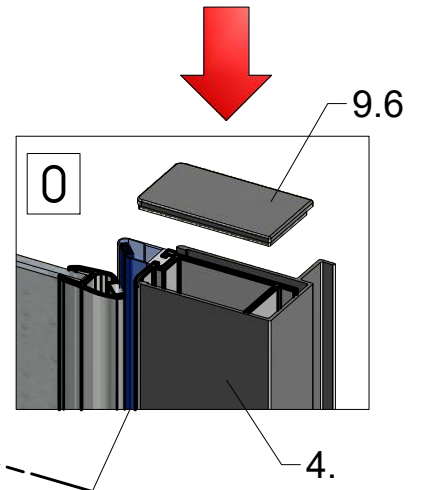
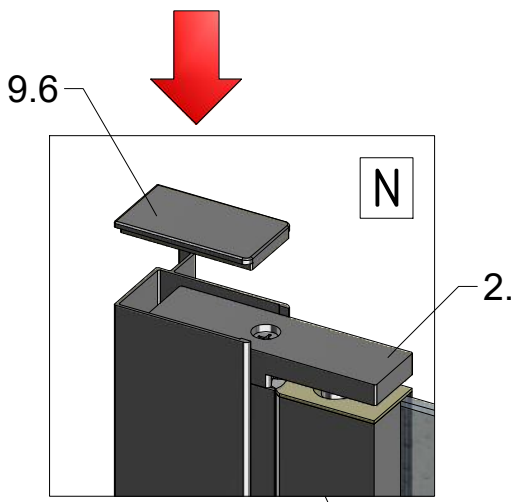


L 6x



M 6x

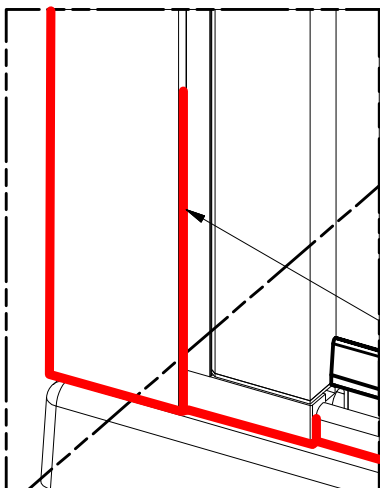
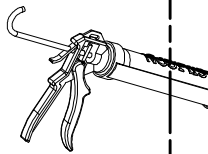






SILICONE

SILICONE



SILICONE
MIN 100mm

SILICONE
MIN 100mm

